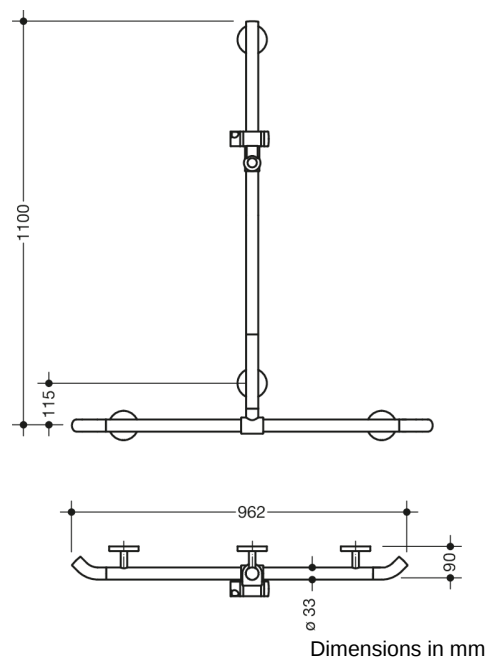




Similar picture



Properties

Shower grab rail with vertical support bar and shower head holder System 800 K

- vertical and horizontal rails joined to form an L-shape, with shower head holder
- with 45° end bends facing the wall
- with vertical rail with shower head holder that can be moved to the side (for installation)
- shower grab rail made of high-quality polyamide
- rail and gripping area of the shower head holder according to HEWI colour chart
- shower head holder, supports and roses made of high-quality polyamide in the HEWI colour 99 (pure white)
- with continuous, corrosion resistant steel core
- vertical length 1100 mm, horizontal length 962 mm
- 90 mm deep, rail diameter 33 mm
- wall connection with discreet supports (diameter 18 mm) perpendicular to wall and flat roses
- rose diameter 80 mm, cap height 13 mm
- shower head holder can be continuously tilted and, after pulling or pushing a large lever, its height can be adjusted
- conical adapter on shower head holder makes it easier to hook in the handheld shower head
- suitable for shower heads of various manufacturers
- easy installation due to individually able fixing plates made of high-quality stainless steel for hanging the shower grab rail
- including non-corrosive HEWI fixing material
- Please note when using with hanging seats: Compatibility check required.
- A detailed list of possible combinations of hand rails, L-shaped rails and shower handrails with matching hanging seats can be found in our online catalogue in the download area of the respective product.